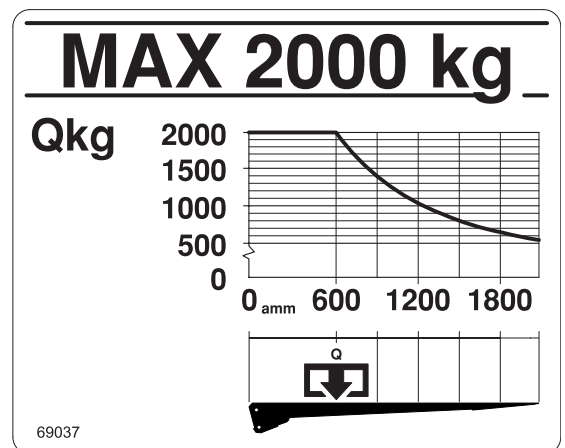
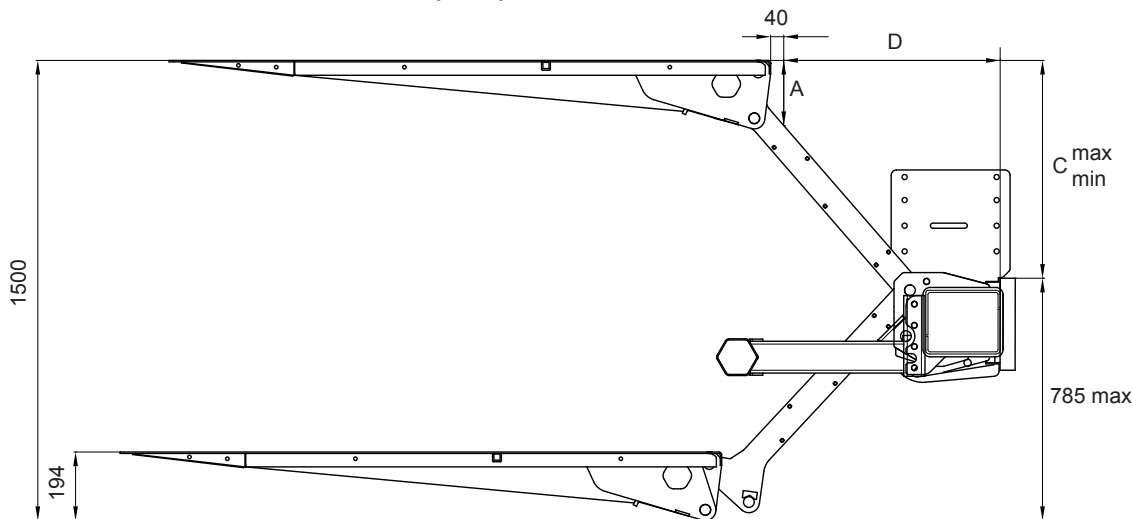


Loading diagram

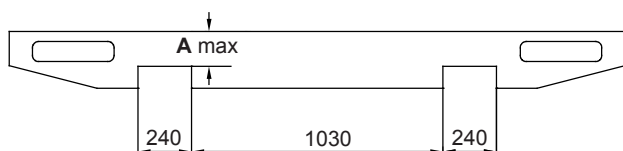
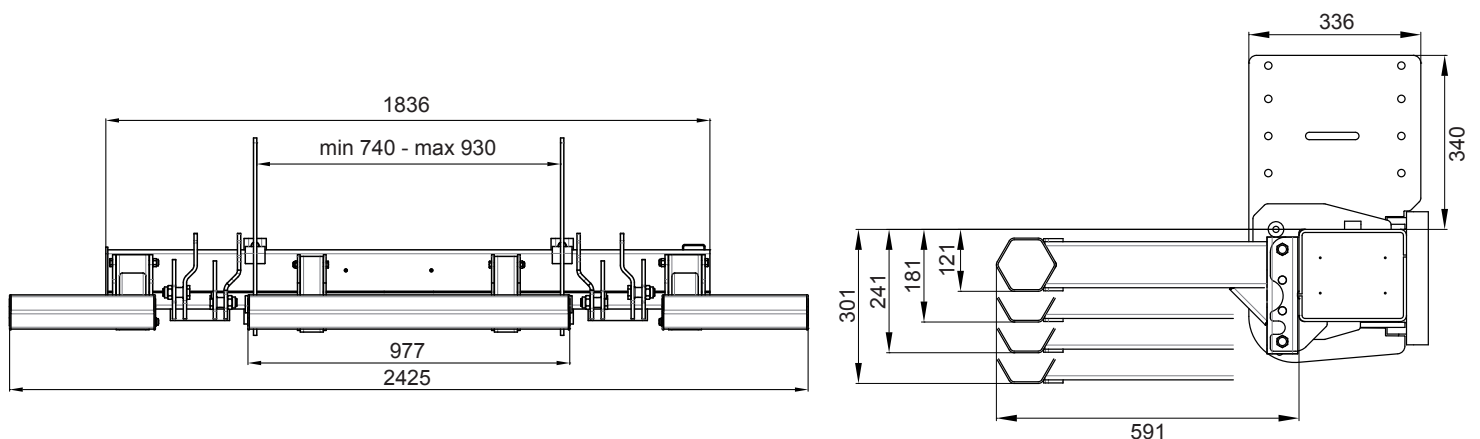
7400 (170 bar)	12 volt	24 volt
Pump - Motor Unit	220 A	120 A
Lowering valve	1,4 A	0,7 A
Shift valve	3,8 A	2,0 A
Magnet (electric safety valve)	1,5 A	0,75 A
Solenoid	1,8 A	0,9 A
Cable area:		
Control cable	1,5 mm ²	1,5 mm ²
Main cable <8 m	35 mm ²	35 mm ²
Main cable 8-15 m	35 mm ²	35 mm ²
Main cable >15 m	-	35 mm ²
Power source:		
Min. capacity	180 Ah	170 Ah
Min. voltage	9 Volt	18 Volt



Installation dimensions (mm)



C	A	D
715	192	674
650	163	757
600	150	809
550	138	853
500	128	891
450	119	924
400	112	952
350	105	976
325	102	987



ZEPRO

ZEPRO Sales
 Tel: +46 (0)150 489 550
 Fax: +46 (0)150 489 551, +46 (0)150 489 566
 E-mail: zepro@zepro.com, Internet: www.zepro.com