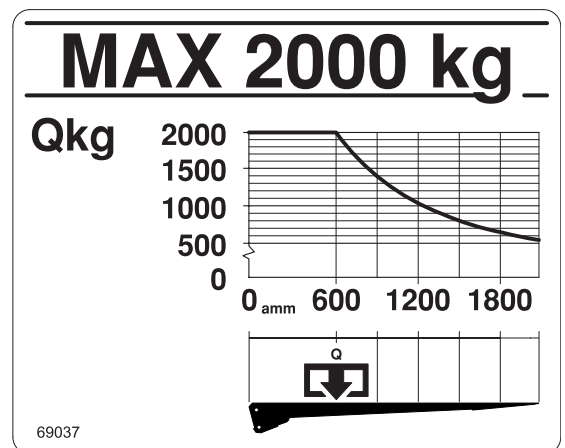
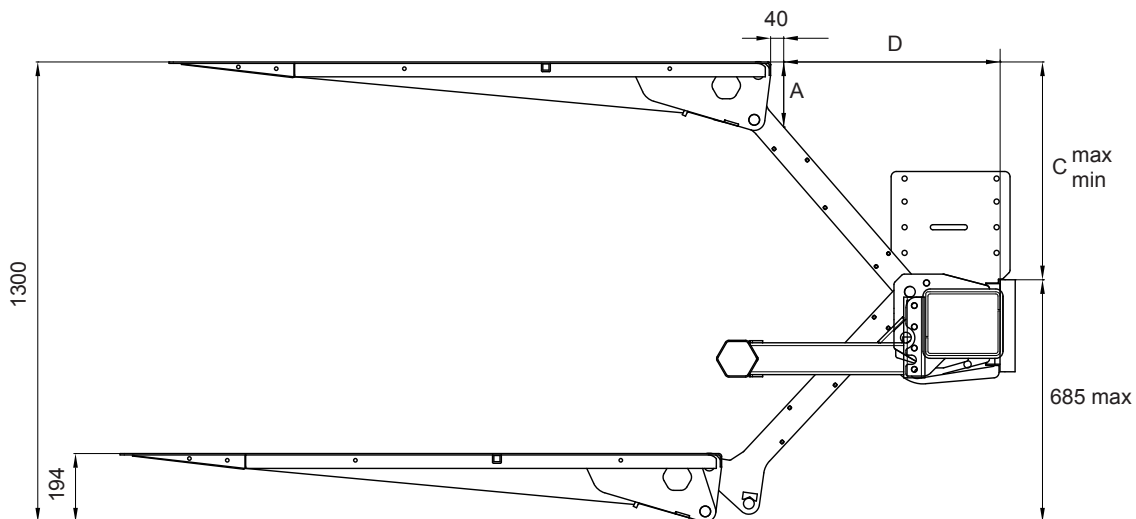


Loading diagram

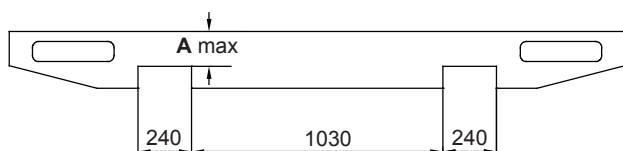
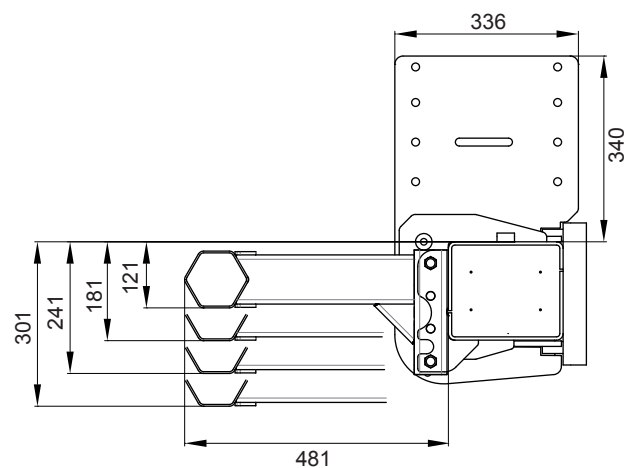
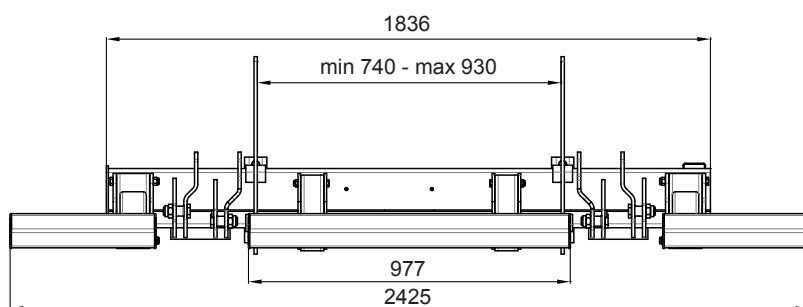
7400 (170 bar)	12 volt	24 volt
Pump - Motor Unit	220 A	120 A
Lowering valve	1,4 A	0,7 A
Shift valve	3,8 A	2,0 A
Magnet (electric safety valve)	1,5 A	0,75 A
Solenoid	1,8 A	0,9 A
Cable area:		
Control cable	1,5 mm ²	1,5 mm ²
Main cable <8 m	35 mm ²	35 mm ²
Main cable 8-15 m	35 mm ²	35 mm ²
Main cable >15 m	-	35 mm ²
Power source:		
Min. capacity	180 Ah	170 Ah
Min. voltage	9 Volt	18 Volt



Installation dimensions (mm)



C	A	D
615	188	608
550	158	689
500	142	738
450	130	779
400	120	814
350	111	843
300	103	867
285	101	873



ZEPRO

ZEPRO Sales
 Tel: +46 (0)150 489 550
 Fax: +46 (0)150 489 551, +46 (0)150 489 566
 E-mail: zepro@zepro.com, Internet: www.zepro.com