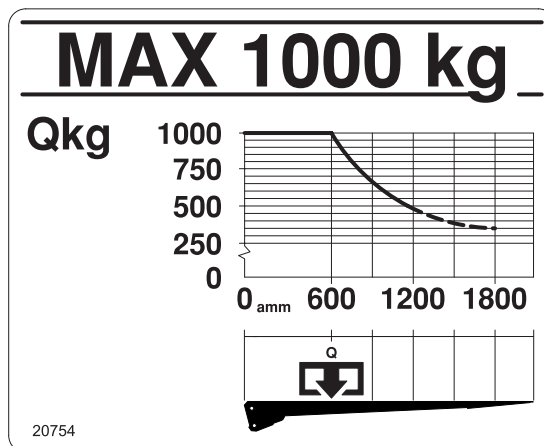
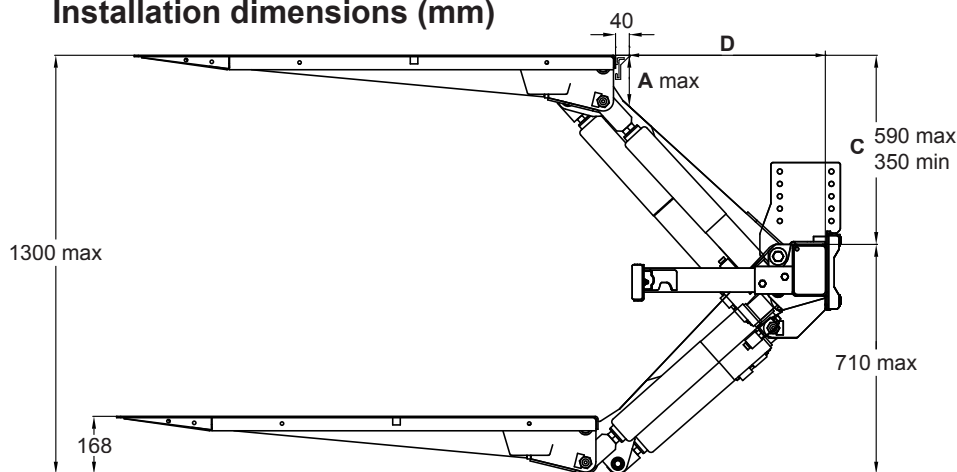


Loading diagram

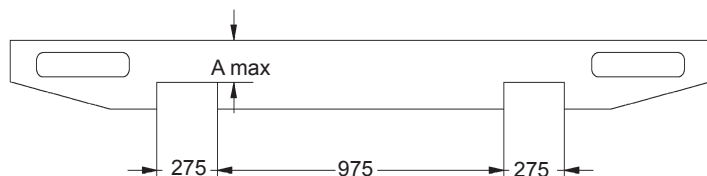
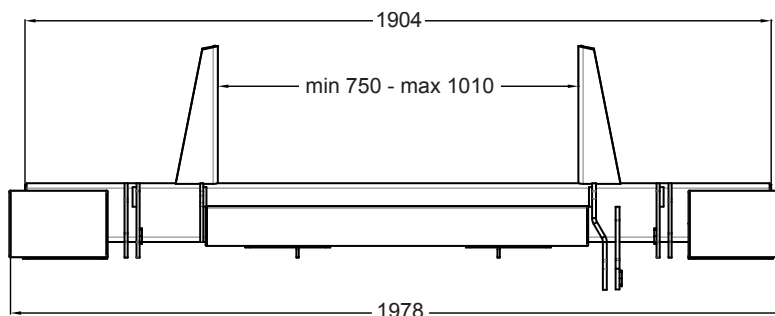
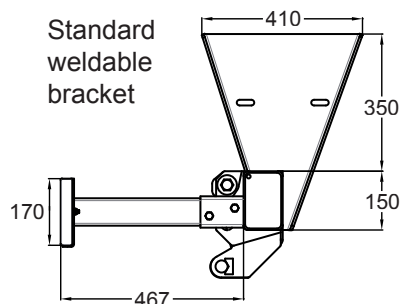
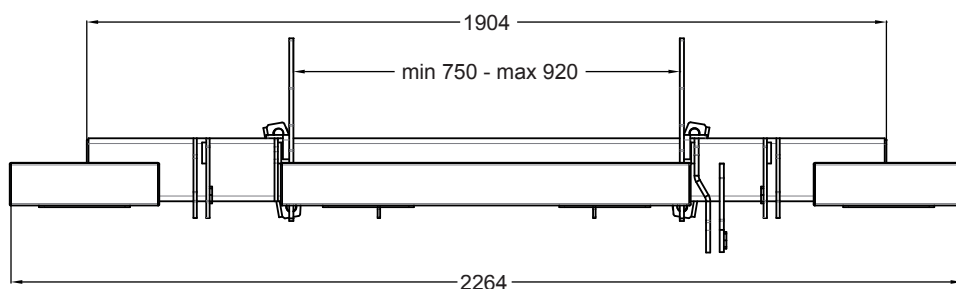
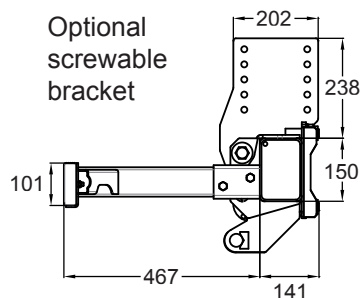
6500 (170 bar)	12 volt	24 volt
Pump - Motor Unit	220A	120A
Lowering valve	1,4A	0,7A
Shift valve	3,8A	2,0A
Magnet (electric safety valve)	1,5A	0,75A
Solenoid	1,8A	0,9A
Cable area:		
Control cable	1,5mm ²	1,5mm ²
Main cable < 8m	35mm ²	35mm ²
Main cable 8-15m	35mm ²	35mm ²
Main cable >15m	-	35mm ²
Power source:		
Min. capacity	180Ah	170Ah
Min. voltage	9 Volt	18 Volt



Installation dimensions (mm)



C	A	D
590	153	539
550	138	586
500	133	625
450	121	667
400	109	701
350	99	730



ZEPRO

ZEPRO Sales
 Tel: +46 (0)150 489 550
 Fax: +46 (0)150 489 551, +46 (0)150 489 566
 E-mail: zepro@zepro.com, Internet: www.zepro.com